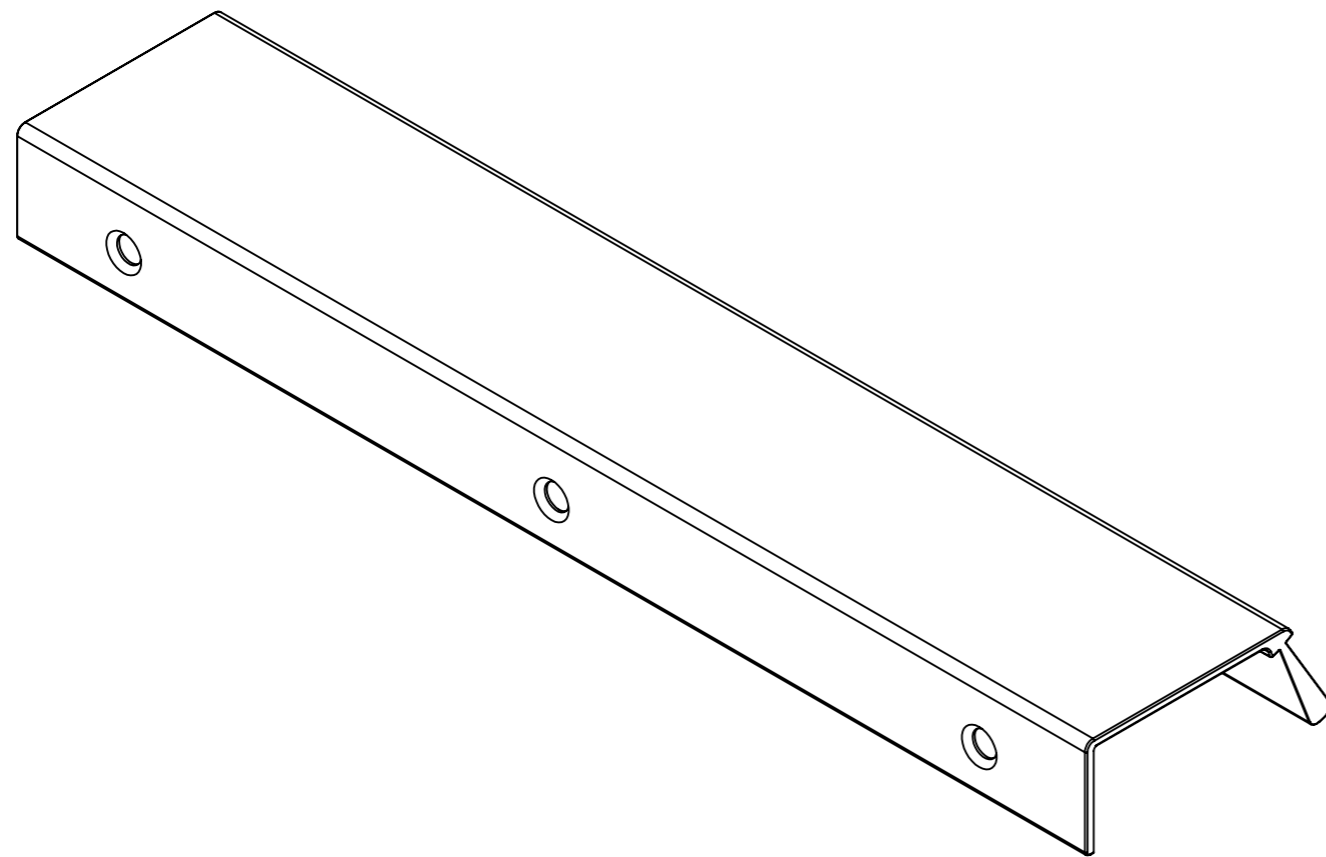
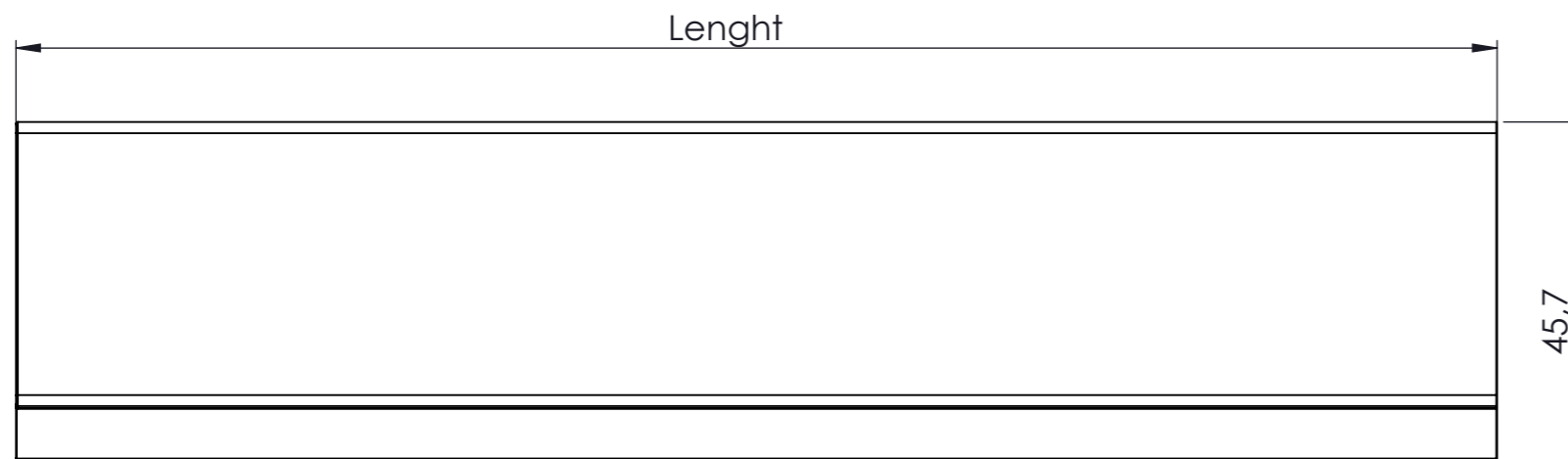
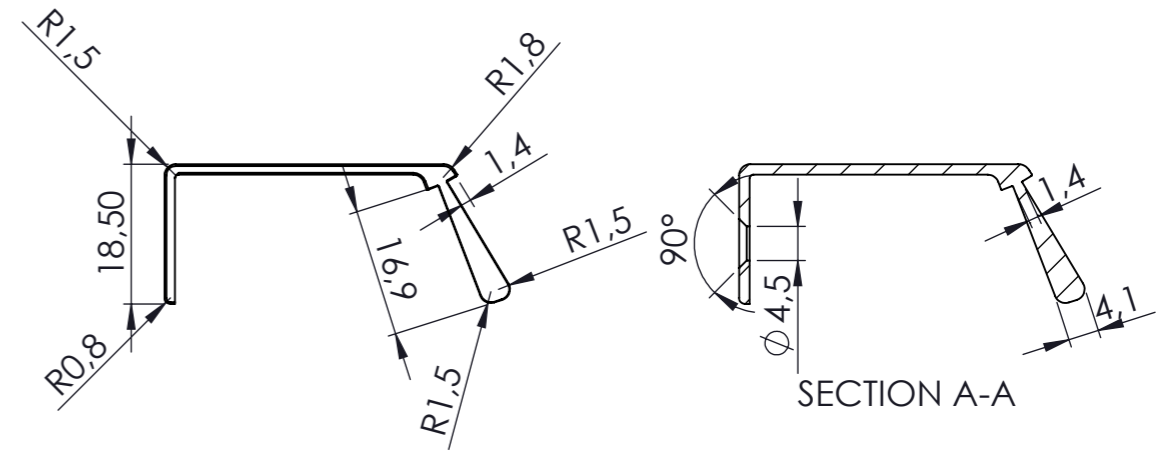
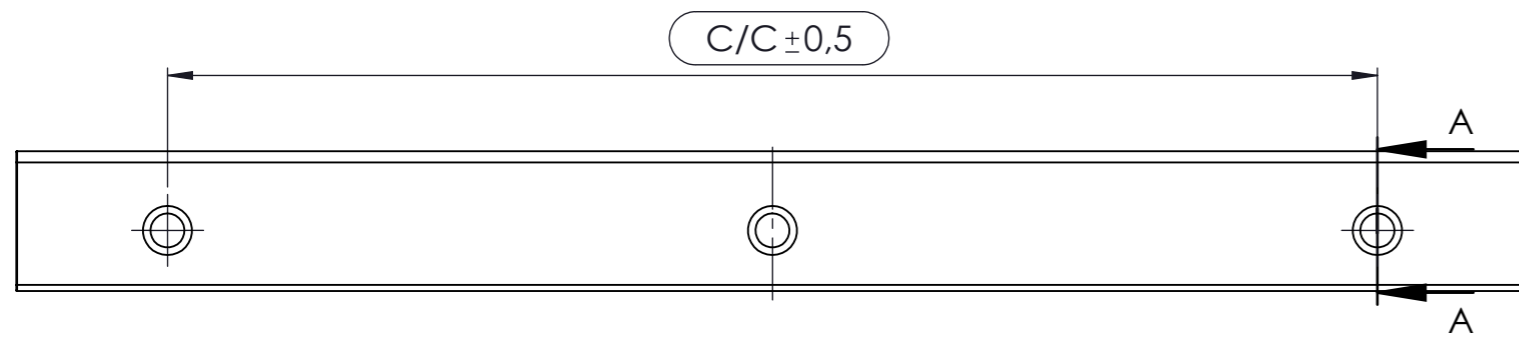


Part no	Length	C/C	Center hole
442420040	40	20	No
442420200	200	160	YES
442420200-xxS	200	160	No

Rev.:	Date:	Name:	Description:
A	24-10-2018	MCH	Screw hole added on lenght 200
B	04-02-2020	MCH	Length 200 added with only 2 screw holes.

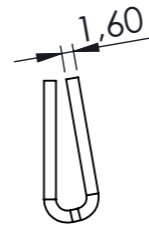
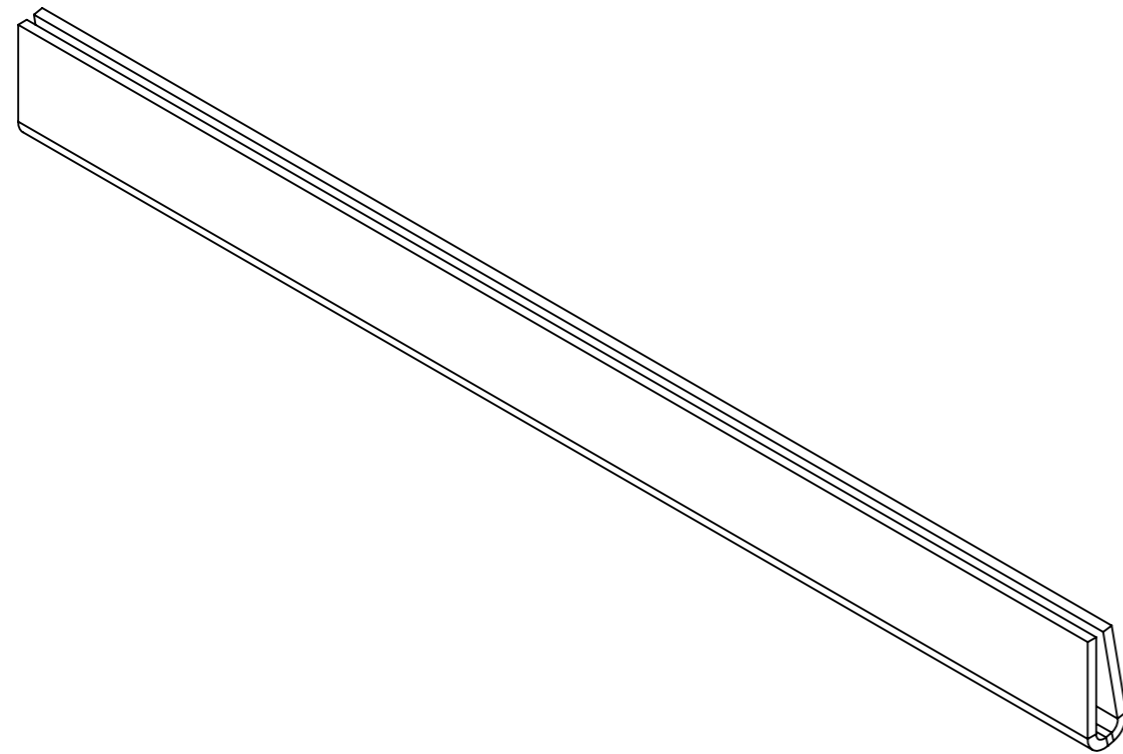
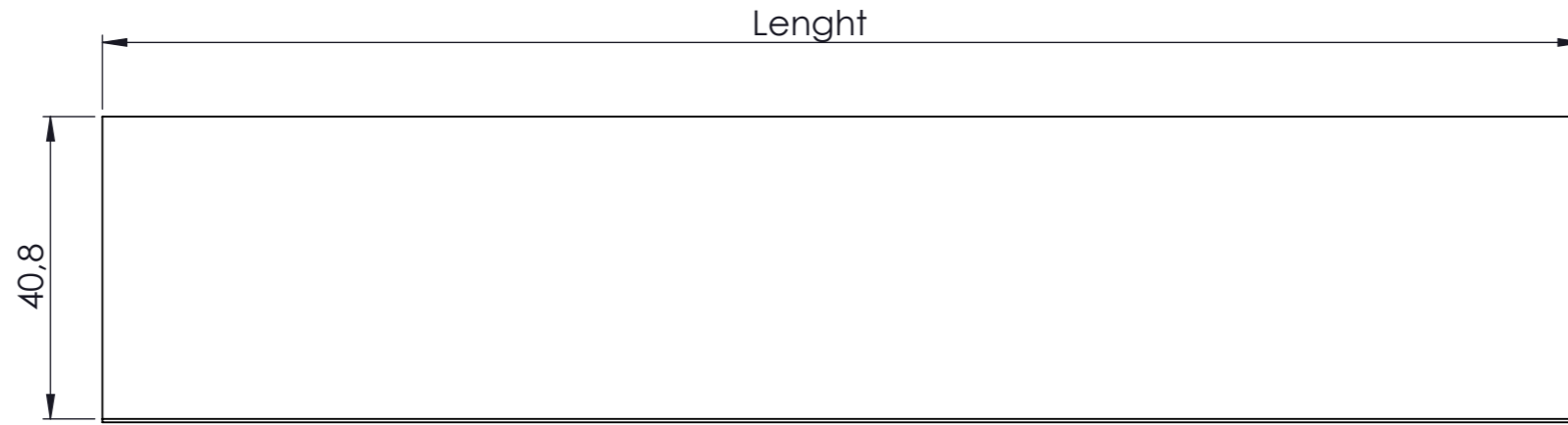
Part name: <b>BENCH</b>	Projection: 	Sheet format: <b>A3</b>	Tolerance unless otherwise specified DS/ISO 2768-1M Linear dimensions: <table border="1"> <tr> <td>0-3</td> <td>3-6</td> <td>6-30</td> <td>30-120</td> <td>120-400</td> <td>400-1000</td> <td>1000-</td> </tr> <tr> <td>±0,1</td> <td>±0,1</td> <td>±0,2</td> <td>±0,3</td> <td>±0,5</td> <td>±0,8</td> <td>±1,2</td> </tr> </table>	0-3	3-6	6-30	30-120	120-400	400-1000	1000-	±0,1	±0,1	±0,2	±0,3	±0,5	±0,8	±1,2
0-3	3-6	6-30		30-120	120-400	400-1000	1000-										
±0,1	±0,1	±0,2	±0,3	±0,5	±0,8	±1,2											
Designer: Adam Laws	Drawn by: MCH 10-07-2018	Scale: 1:1	AngleRadius ±0,5° ±5%														
Part no.: <b>442420xxx</b>	Material: <b>ALUMINIUM / LEATHER</b>	Sheet 1 of 3	<b>furnipart®</b> Delta 2 Phone: +45 87 64 35 00 DK-8382 Hinnerup E-mail: fp@furnipart.com														
Weight:		COPYRIGHT: THIS DRAWING MAY NOT BE COPIED OR REPRODUCED IN ANY WAY WITHOUT DIRECT PERMISSION FROM FURNIPART A/S															



Rev.:	Date:	Name:	Description:
A	24-10-2018	MCH	Screw hole added on lenght 200
B	04-02-2020	MCH	Length 200 added with only 2 screw holes.

Part name: <b>BENCH</b>	Projection: 	Sheet format: <b>A3</b>	Tolerance unless otherwise specified DS/ISO 2768-1M Linear dimensions: <table border="1"> <tr> <td>0-3</td> <td>3-6</td> <td>6-30</td> <td>30-120</td> <td>120-400</td> <td>400-1000</td> <td>1000-2000</td> </tr> <tr> <td>±0,1</td> <td>±0,1</td> <td>±0,2</td> <td>±0,3</td> <td>±0,5</td> <td>±0,8</td> <td>±1,2</td> </tr> </table>	0-3	3-6	6-30	30-120	120-400	400-1000	1000-2000	±0,1	±0,1	±0,2	±0,3	±0,5	±0,8	±1,2
0-3	3-6	6-30		30-120	120-400	400-1000	1000-2000										
±0,1	±0,1	±0,2	±0,3	±0,5	±0,8	±1,2											
Designer: Adam Laws	Drawn by: MCH 10-07-2018	Scale: 1:1	AngleRadius ±0,5° ±5%														
Part no.: <b>Z442420xxx</b>	Sheet 2 of 3	Material: <b>Aluminium</b>	<b>furnipart®</b> Delta 2 Phone: +45 87 64 35 00 DK-8382 Hinnerup E-mail: fp@furnipart.com														
Material: <b>Aluminium</b>	Weight: <b>XX</b>																

COPYRIGHT: THIS DRAWING MAY NOT BE COPIED OR REPRODUCED IN ANY WAY WITHOUT DIRECT PERMISSION FROM FURNIPART A/S



Part no.	lenght
102590040	40
102590200	200

Rev.:	Date:	Name:	Description:

Part name: <b>BENCH</b>	Projection: 	Sheet format: <b>A3</b>	Tolerance unless otherwise specified DS/ISO 2768-1M Linear dimensions: <table border="1"> <tr> <td>0-3</td> <td>3-6</td> <td>6-30</td> <td>30-120</td> <td>120-400</td> <td>400-1000</td> <td>1000-</td> </tr> <tr> <td>±0,1</td> <td>±0,1</td> <td>±0,2</td> <td>±0,3</td> <td>±0,5</td> <td>±0,8</td> <td>±1,2</td> </tr> </table>	0-3	3-6	6-30	30-120	120-400	400-1000	1000-	±0,1	±0,1	±0,2	±0,3	±0,5	±0,8	±1,2
0-3	3-6	6-30		30-120	120-400	400-1000	1000-										
±0,1	±0,1	±0,2	±0,3	±0,5	±0,8	±1,2											
Designer: Adam Laws	Drawn by:	Scale: 1:1	AngleRadius ±0,5° ±5%														
Part no.: <b>102590xxx</b>	Sheet 3 of 3	<b>furnipart®</b> Delta 2 Phone: +45 87 64 35 00 DK-8382 Hinnerup E-mail: fp@furnipart.com															
Material:	Weight:																

COPYRIGHT: THIS DRAWING MAY NOT BE COPIED OR REPRODUCED IN ANY WAY WITHOUT DIRECT PERMISSION FROM FURNIPART A/S